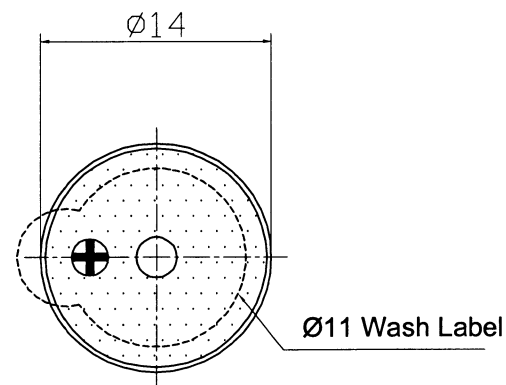
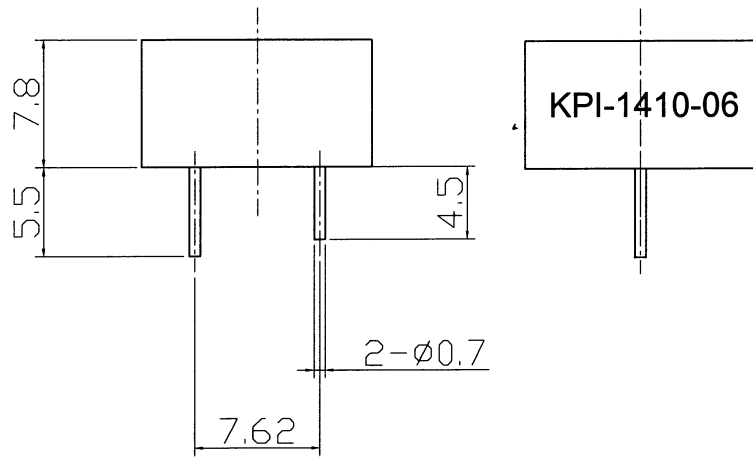


SPECIFICATION

- 1. Rated Voltage6VDC
- 2. Operating Voltage1.5~12VDC
- 3. Max. Rated Current8mA at 6VDC
- 4. Resonant Frequency4.5±0.5KHz
- 5. Min. Sound Pressure Level.....80dB at 6VDC/10cm
- 6. Tone NatureContinuous
- 7. Case Material/ColorPBT/Black
- 8. Operating Temperature-20~+80℃
- 9. Store Temperature-30~+100℃
- 10. Weight2g



				KEPO NINGBO KEPO ELECTRONIC CO.,LTD http://www.chinaacoustic.com	
No.		DESCRIPTION		APPROVED	DATE
TOLERANCES UNLESS NOTED OTHERWISE		APPROVALS		DATE	
X +		DRAWN			UNIT
.XX ±		CHECKED			DWG NO.
XXX -		APPROVED			mm
90° FORMED +1°		APPROVED		08.05.19	SCALE
ANGLES -1°		FIRST ANGLE PROJECTION			SHEET
					VER 1.0

Piezo Buzzer Quartz-1
KPI-1410-06

OEM2917